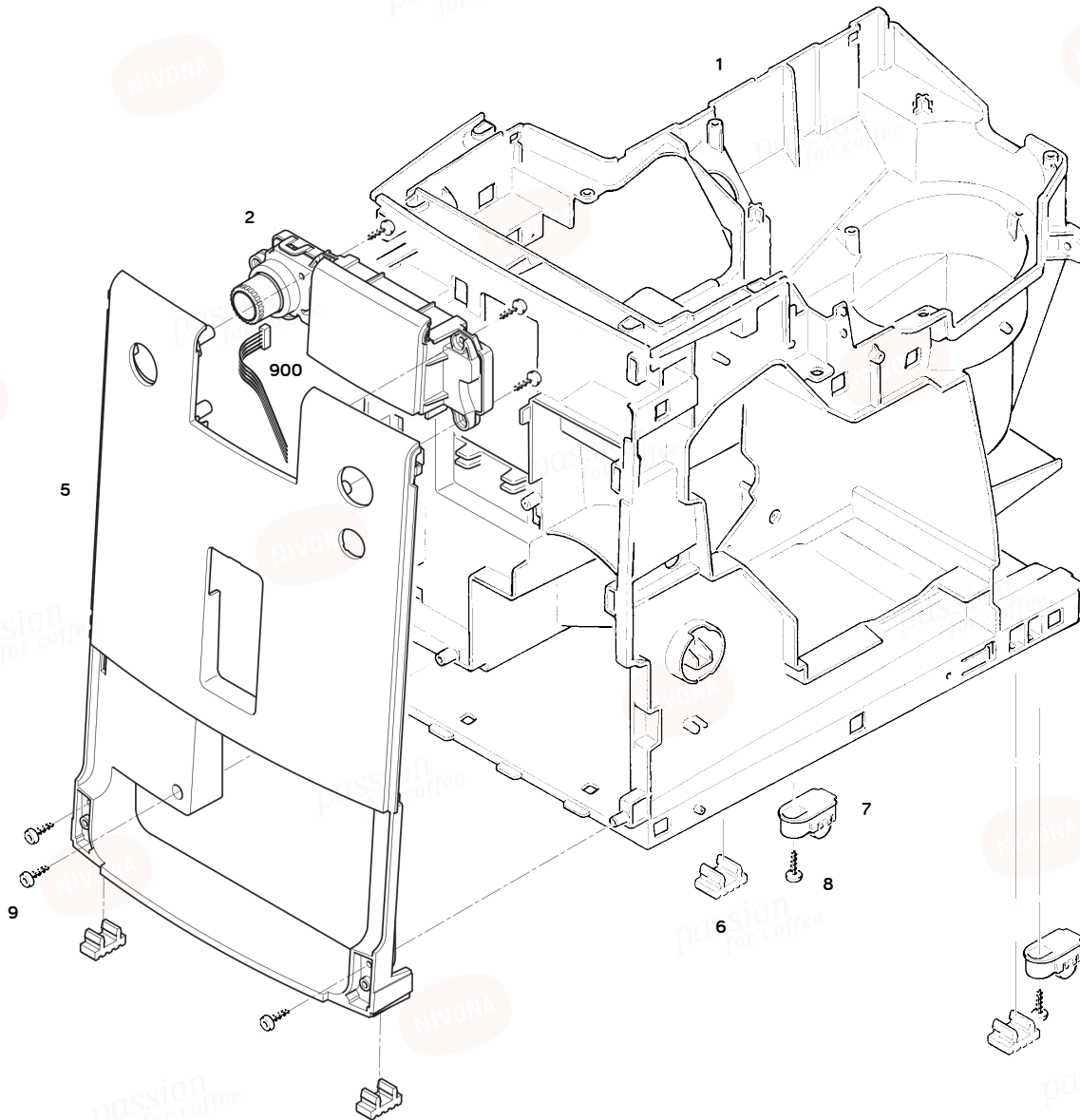
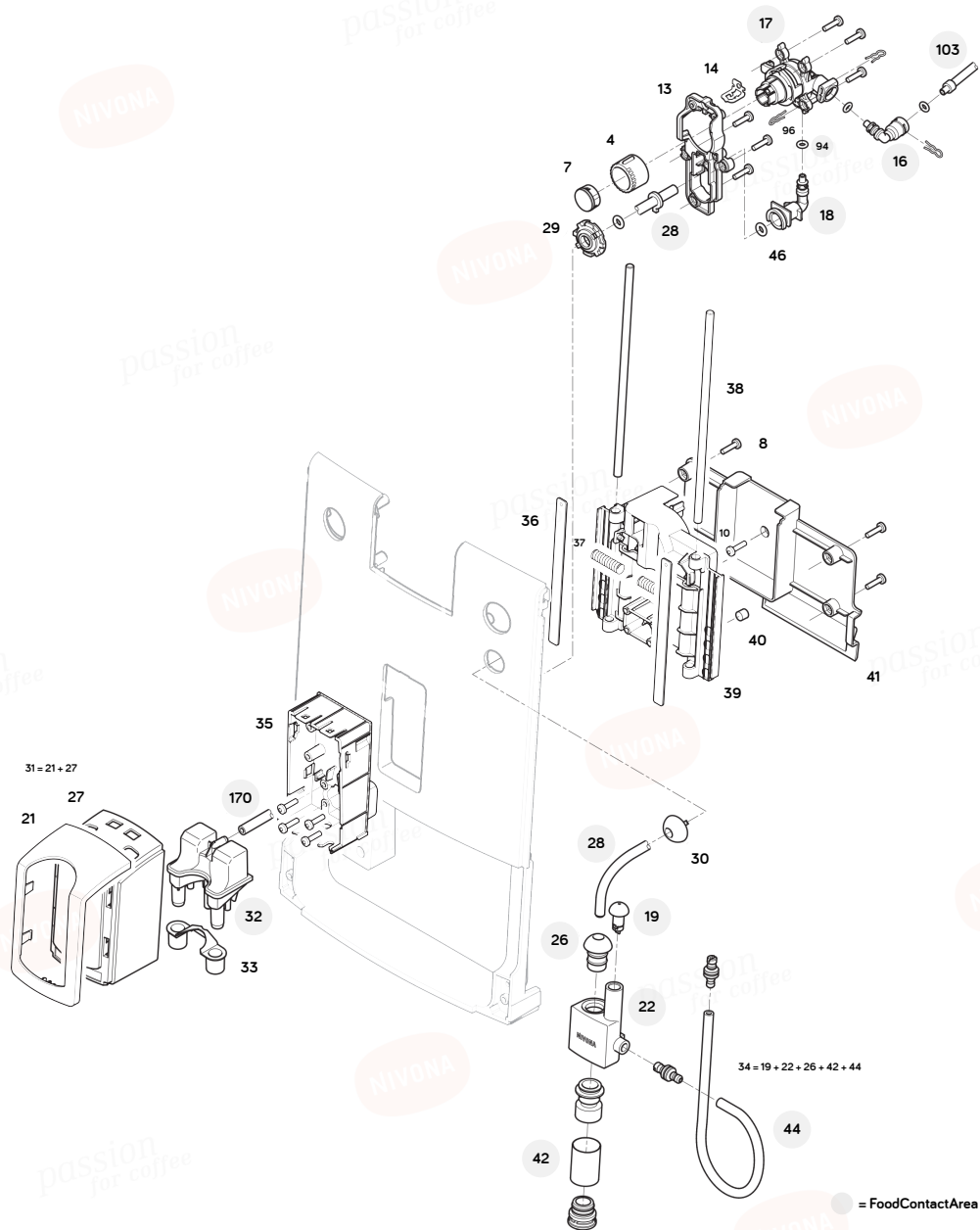


NICR 560



#	Discription	Part No.
1	Holder 507	81541
2	Electronic 1085 cpl MMI	136494
900	Connector 1085 6x	136632
3	Rotary knob 572 amount of coffee chromium	83487
4	Rotary knob 571 steam chromium	81998
5	Front panel 1085	136909
6	Rubber feet 507 V2	75559
8	Screw KST/PT 3,0x12 bl galvan	16052
9	Screw KST/PT 3,0x12 blk galvan	44505

NICR 560

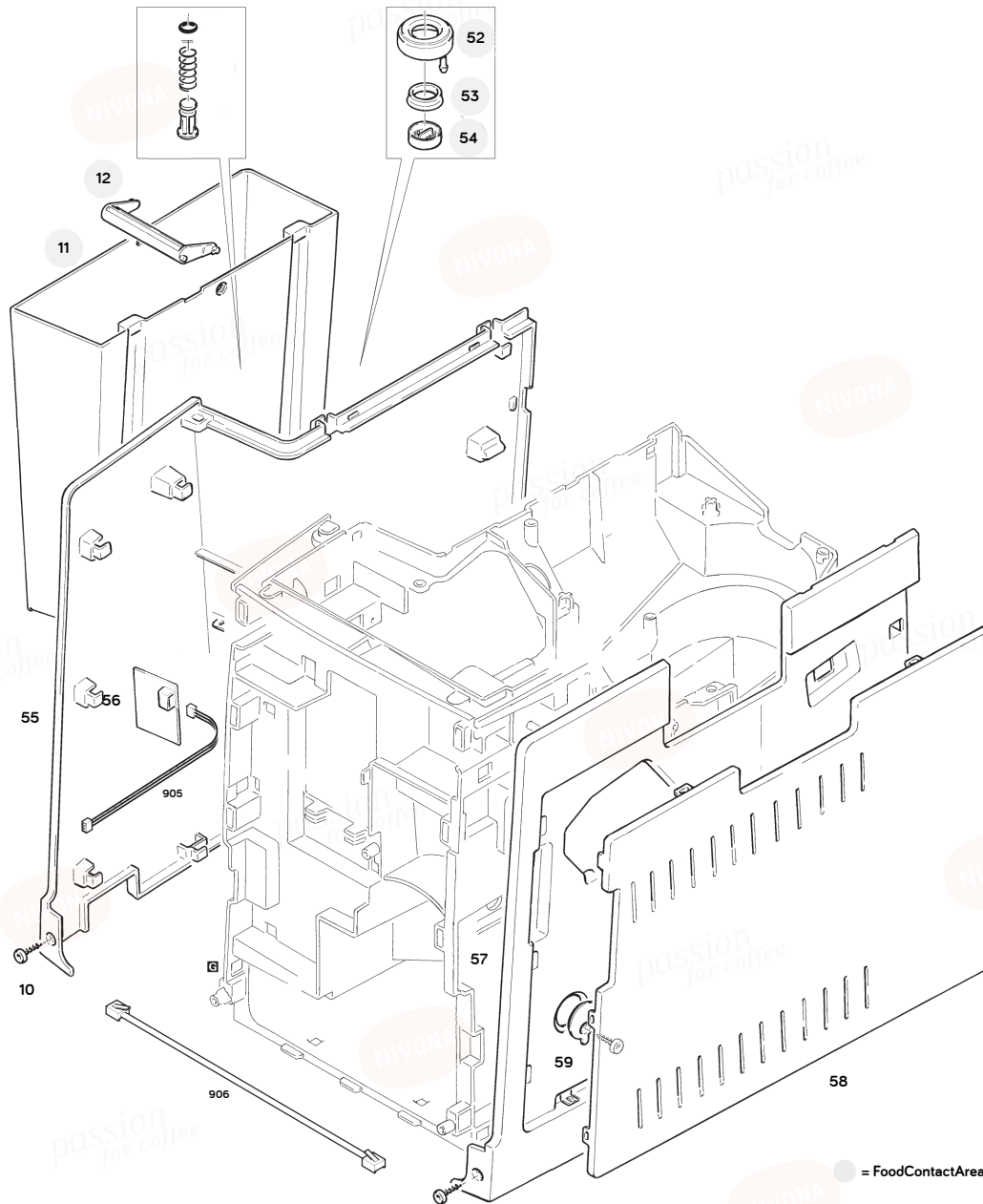


#	Discription	Part No.
8	Screw KST/PT 3,0x12 bl galvan	16052
9	Screw KST/PT 3,0x12 blk galvan	44505
13	Holding plate 571 steam valve	80477
15	Fluid connect 571 steam tube	80483
16	connect 004 valve	51100
17	Steam valve 571 cpl	81994
21	Faceplate 570 outlet V2	81996
26	Steam nozzle 572 black	80565
27	Cover outlet 1085	136908
28	Steam tube 572 bent	80564
29	Faceplate 571 steam tube	81997
32	Outlet 507 cpl V2	73712
33	Sleeve 507 outlet	81819
35	Outlet slider 507 V3	73534
36	Metallic stripe 691 Inox V4	64715
37	Press.spring d=0,90 Do=6,60	61018
38	Guide pin 573	73530
39	Guide block 507 outlet V3	73532
41	Finger protect 507 outlet	73533
44	Hose 572 Milk	83679
46	O-Ring 005,50x2,00 silic/2-K	26549
60	Outlet 572 cpl	86524
XX	Steam nozzle 697	105149
71	Air intake tube 572 cpl	82766
74	Foam device 572	84677
95	Hose FEP D4,0xd2,50x210mm	40268
96	Clip D=4mm L=14mm Inox	5470
103	Hose FEP D4,0xd2,50x260mm	19680
155	Screw KST/PT 3,0x 8 Inox	38391
171	Hose silic D06,0xd3,00x220mm	75500

NIVONA

August 2022 | NICR 560 | 2/11

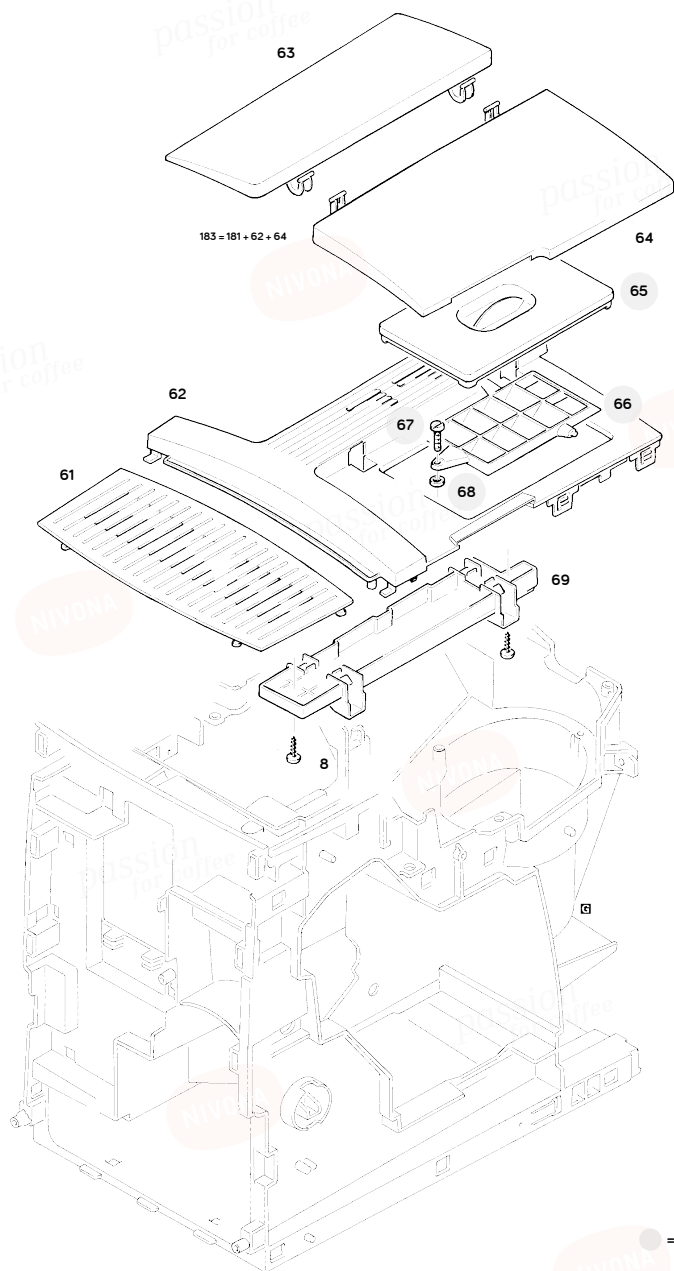
NICR 560



#	Discription	Part No.
9	Screw KST/PT 3,0x12 blk galvan	44505
11	Water tank 507 cpl V3	77268
12	Handle 507 water tank	73624
52	Valve hood 004	58106
53	Internal divided sleeve M2	68031
54	Sieve 510 tank base V3	79494
55	Side wall 507 left	73562
56	Sensor 585 water level	74126
901	Connect cord 507	74133
57	Side wall 507 right V2	73563
58	Door 507 right V3	92326
59	Cover 570 service plug	80132

● = FoodContactArea

NICR 560



● = FoodContactArea

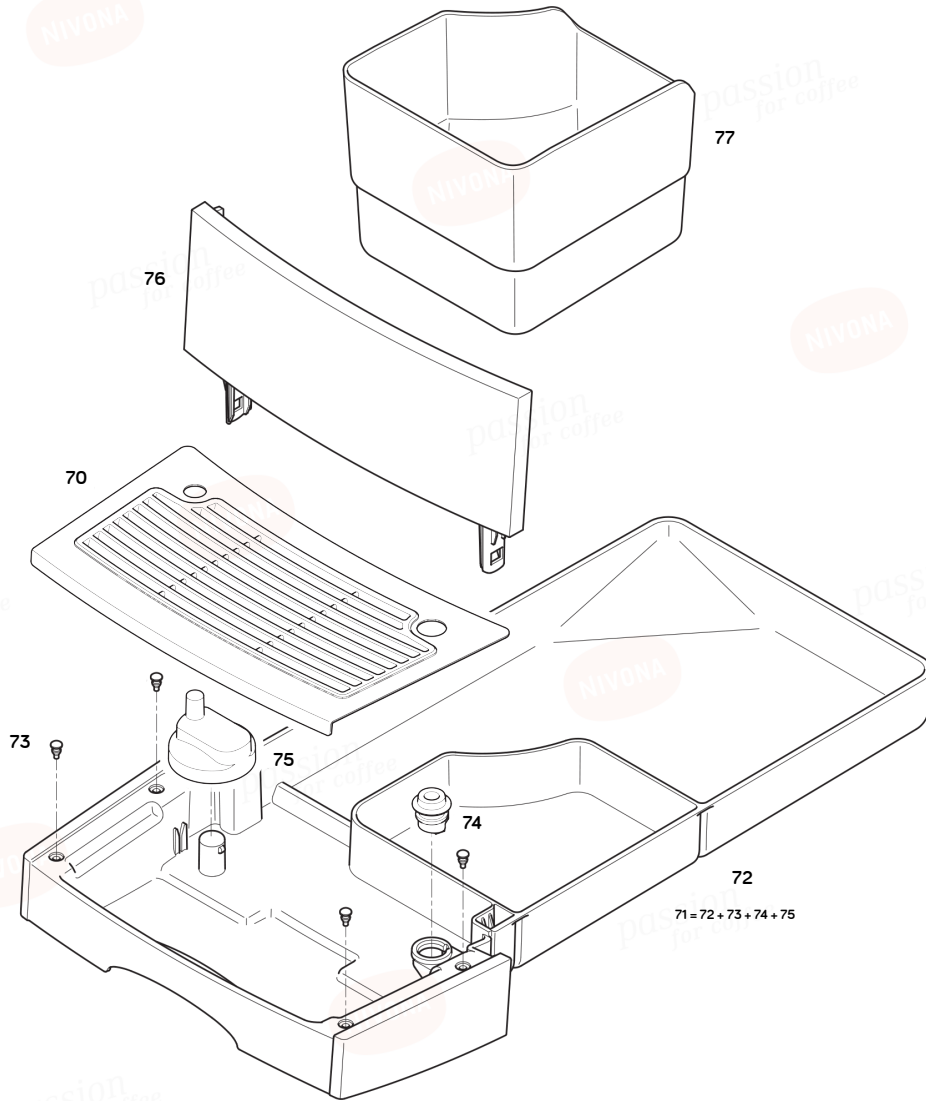
#	Discription	Part No.
8	Screw KST/PT 3,0x12 bl galvan	16052
61	Cup shelf 507	73572
62	Cover 507 cpl V3	138204
63	Cover 507 water tank	73574
64	Cover 507 bean contain V2	92490
65	Aroma preserv.cover 507 V3	73576
66	Finger protect 507	73595
67	Screw M4x12 bl galvan	38723
68	Safety ring 7,5x3,5x1,5mm	8291
69	Holder 507 hinge	73568

NIVONA

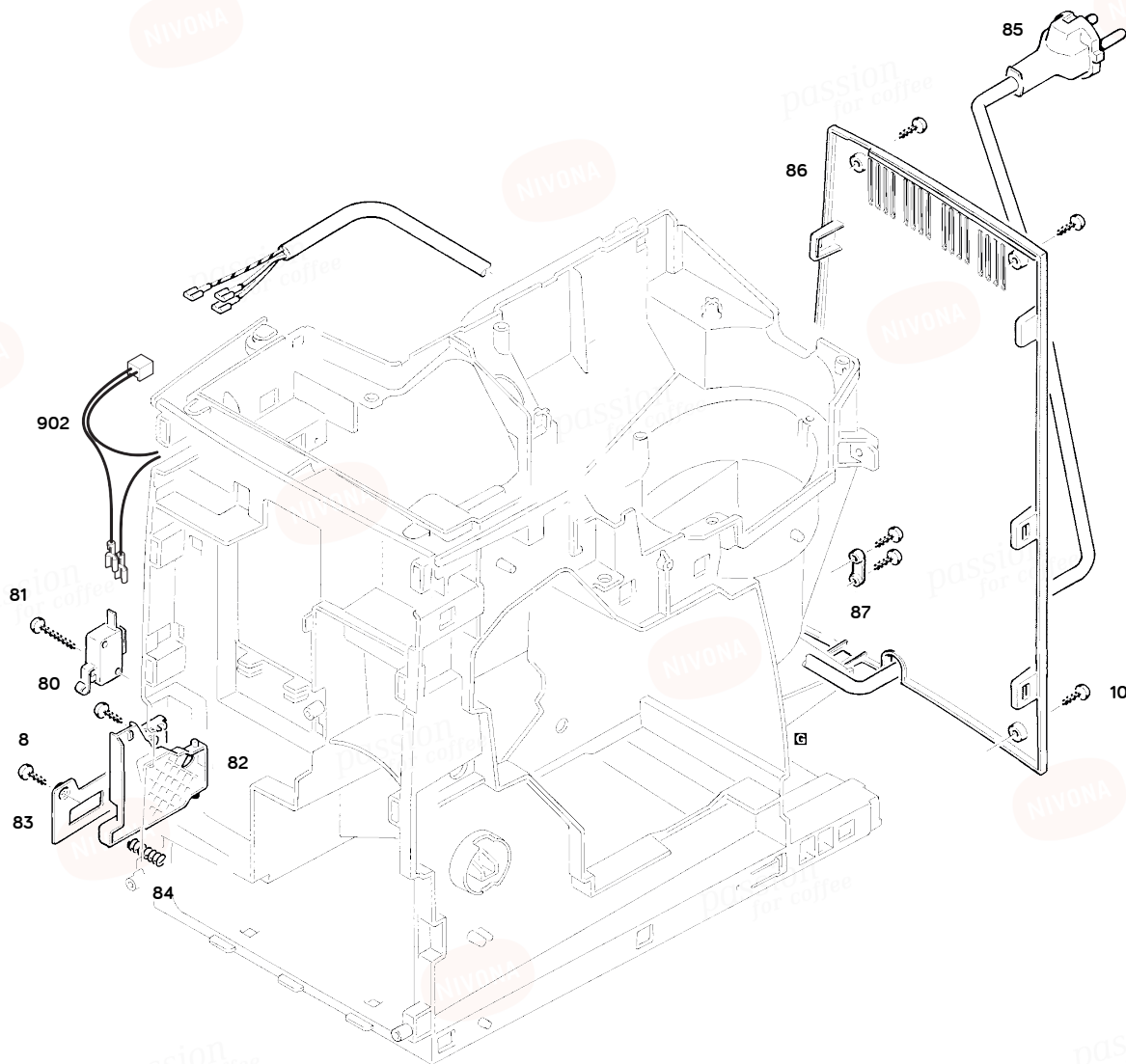
August 2022 | NICR 560 | 4/11

NICR 560

#	Discription	Part No.
70	Drip grid 570 stainless steal	80584
72	Spare drip tray 573 cpl	128976
74	Foam device 572	84677
76	Faceplate 253 drip tray	132322
77	Grounds contain.507	73586

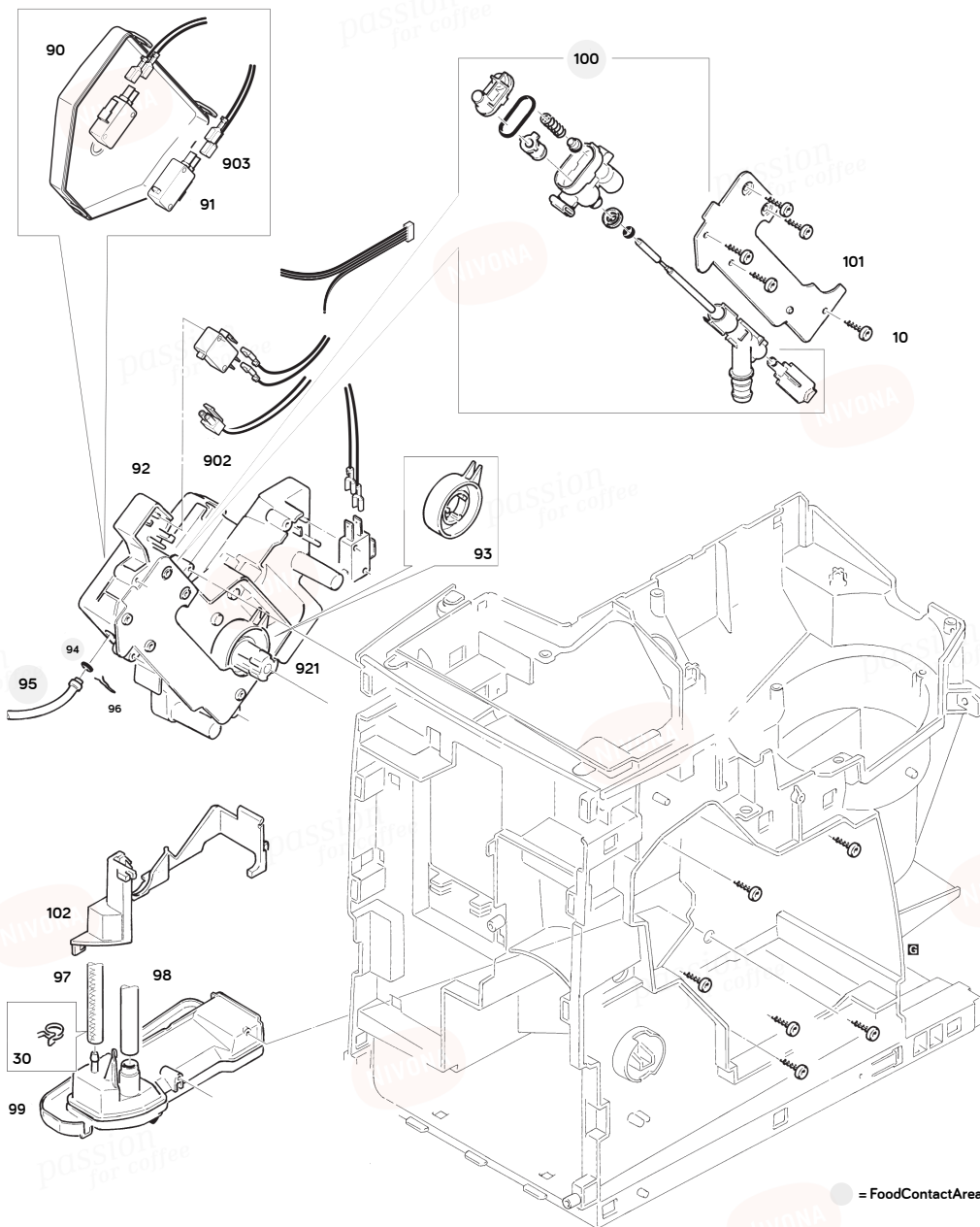


NICR 560



#	Discription	Part No.
8	Screw KST/PT 3,0x12 bl galvan	16052
9	Screw KST/PT 3,0x12 blk galvan	44505
80	Micro switch D44N-Q1UA	51179
81	Micro switch D44N-Q1UA	19504
82	Screw KST/PT 3,0x20 bl galvan	73617
83	Cover 507 main switch	73622
84	Press.spring d=0,50 Do=5,20	14588
85	Line cord bk H05VV-F3G0,75 1,50m	75622
86	Paroi arr.507 V2	92545
902	Isolation 508 backwall	78485
87	Strain relief clamp screwable	1053

NICR 560



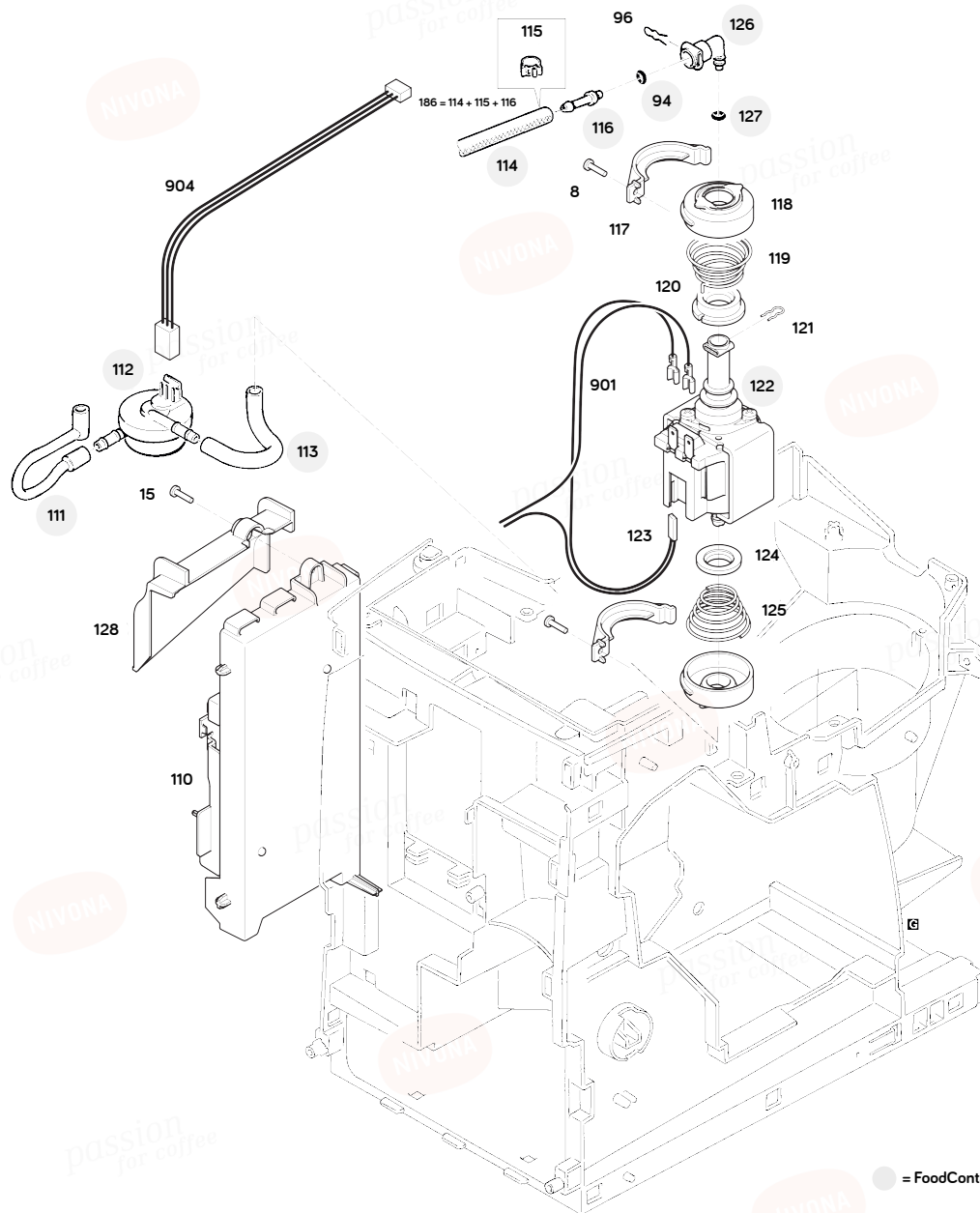
#	Discription	Part No.
8	Screw KST/PT 3,0x12 bl galvan	16052
90	Cover 047 driver	61505
91	Micro switch D41R-QGAC V3	48905
92	Driver A-047 cpl V3	93292
903	Connector 691 5x	64581
904	Connector 698 2x	111006
92.1	locking pin 046 Driver	29707
92.2	insert 046 coupling /	28230
93	Driver 047	54826
94	O-Ring 003,40x1,90 V4	71881
95	Hose FEP D4,0xd2,50x210mm	40268
96	Clip D=4mm L=14mm Inox	5470
98	Hose silic D15,0xd11,0x047mm	75623
99	Relieve tank 507 cpl V2	73710
100	Drainage valve 047 cpl V5	68368
101	Cover 691 driver V4	64413
102	Seal 507 relieve tank	79357

● = FoodContactArea

NIVONA

August 2022 | NICR 560 | 7/11

NICR 560



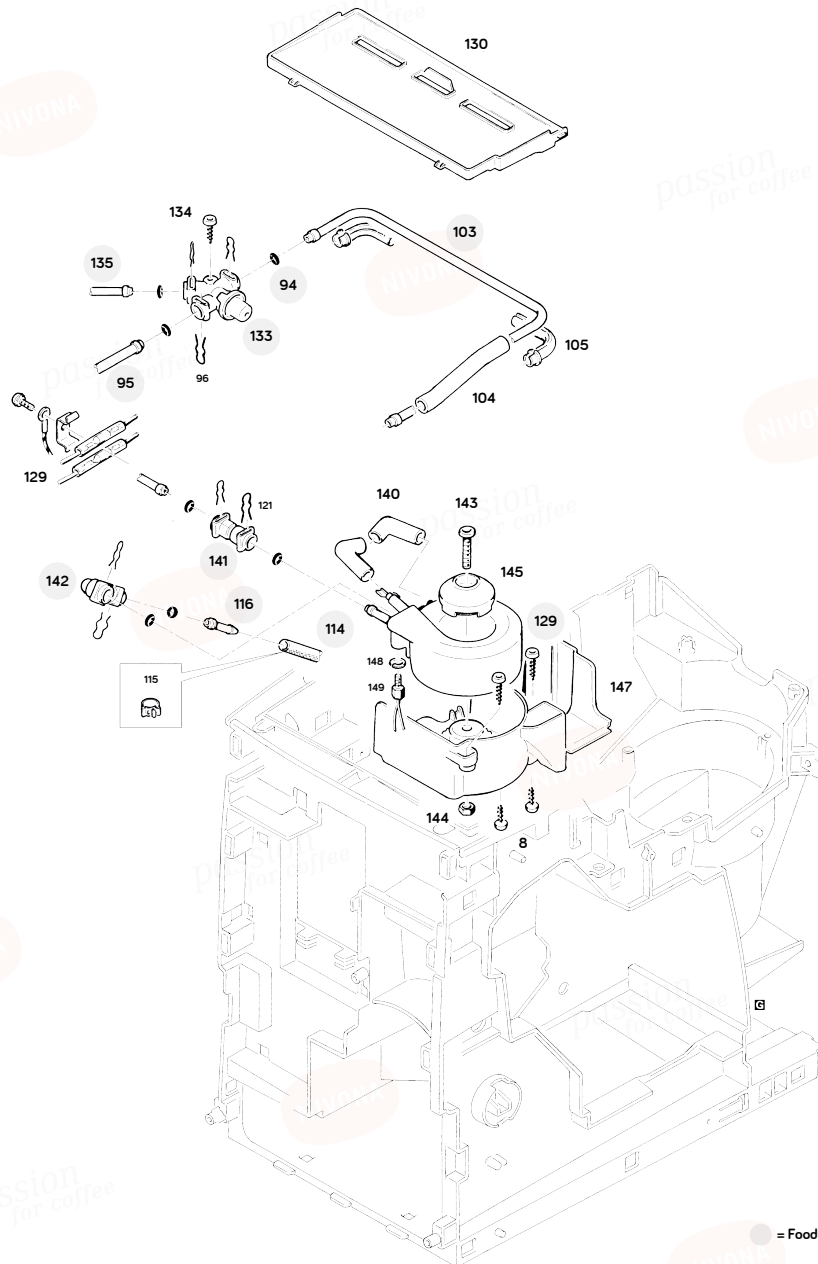
#	Discription	Part No.
8	Screw KST/PT 3,0x12 bl galvan	16052
94	O-Ring 003,40x1,90 V4	71881
96	Clip D=4mm L=14mm Inox	5470
110	Electronic 1085 cpl	137394
905	Service cord 507	74135
111	Molded tube 507 silic	76161
112	Flow meter FHKSC12 90°	69730
906	Connector 691 3x	64591
113	Hose silic D09,0xd5,00x090mm	9212
114	Hose silic/reinf. D08,2xd4,2	37755
115	Hose clamp 8,0- 9,0mm V2	69541
116	Fluid nipple l-form 1x	56737
117	Holder 507 pump	73612
118	Damper 507 pump	73615
119	Press.spring 507 pump	73613
120	Pump holder 507	73614
121	Clip D=5mm	37384
907	Connector 507 4x	75624
122	Spare pump SAPHP4.V03 S EU	63172
123	Thermost TB02-B-B8D-105	75558
124	Pump holder 509	69776
125	Con.spring d1,6 Do35,5 Di17,0	52851
126	Fluid connect elbow 90°	70061
127	O-Ring 003,40x1,90 EPDM V3	61701

☐ = FoodContactArea

NIVONA

August 2022 | NICR 560 | 8/11

NICR 560



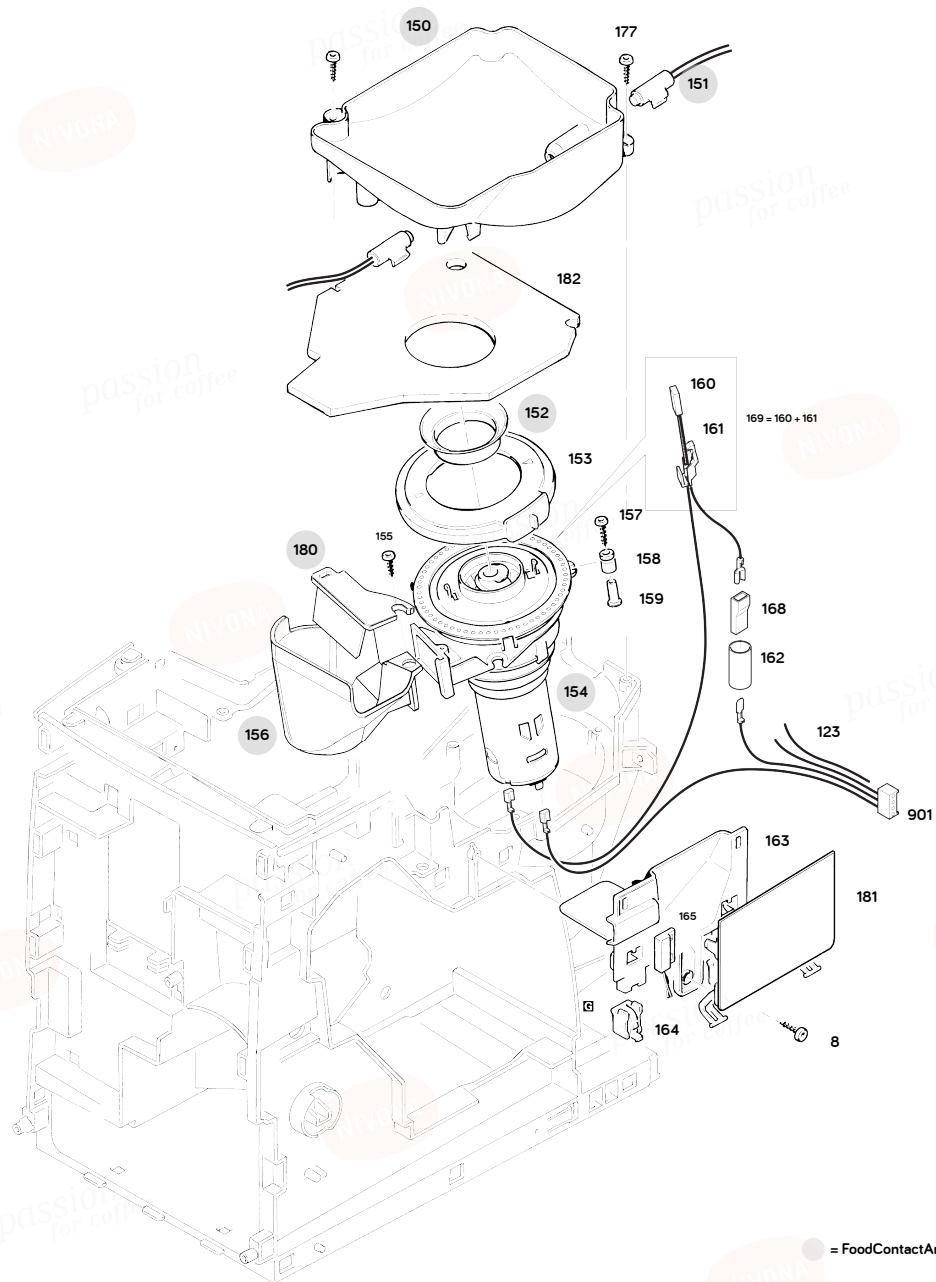
#	Discription	Part No.
8	Screw KST/PT 3,0x12 bl galvan	16052
94	O-Ring 003,40x1,90 V4	71881
95	Hose FEP D4,0xd2,50x210mm	40268
96	Clip D=4mm L=14mm Inox	5470
103	Hose FEP D4,0xd2,50x260mm	19680
104	Hose silic D11,5xd8,00x085mm	57757
114	Hose silic/reinf. D08,2xd4,2	37755
115	Hose clamp 8,0- 9,0mm V2	69541
116	Fluid nipple I-form 1x	56737
121	Clip D=5mm	37384
128	Strd wire EU yell.green370mm	75650
133	Outlet valve cpl Y-shape	83266
134	Screw KST/PT 3,5x12 bl galvan	22505
135	Hose FEP D4,0xd2,50x100mm	16082
136	Screw GF/Tapt.M4,0x 8 bl	19799
137	Clip TCO TB2010 V2	71212
138	TCO strd wire 507 EU 184C	75653
139	TCO strd wire 507 EU 184C	75652
140	Insul.leeve Elbow black	43202
141	Fluid connect I shape V2	61799
142	Fluid connect elbow 90°	60761
143	Screw M6x20 bl galvan rd head	38620
144	Locknut M6 6-face	24463
145	Holder 507 thermobl.	74451
146	Thermobl 2010/L 230V/1400W	65297
147	Holder 507 thermobl	73604
148	Spring ring M5	5245
149	Temperature gauge 260 cpl	71630

☐ = FoodContactArea

NIVONA

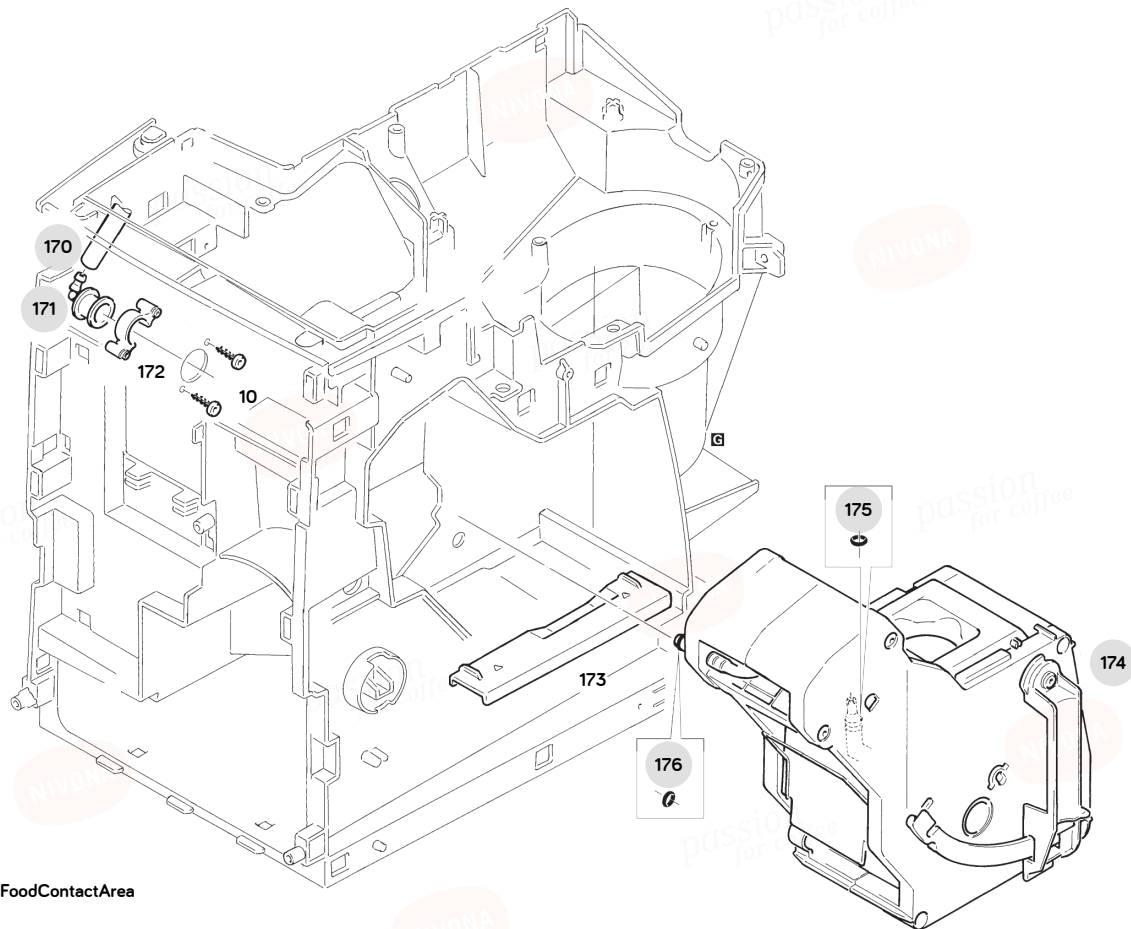
August 2022 | NICR 560 | 9/11

NICR 560



#	Discription	Part No.
8	Screw KST/PT 3,0x12 bl galvan	16052
150	Bean contain 507	73594
151	Casing 691 bean gauge V3	83871
152	Spare sleeve 778 cpl	13892
153	Lever 691 grinding grade V3	64439
154		100146
155	Screw KST/PT 3,0x 8 Inox	38391
157	Screw KST/PT 3,0x20 Inox	19244
158	Rubber feet 778 black	13904
159	Tubul.rivet 4,0x0,40x10,5	13903
160	Current/temperature limiter	43739
161	Holder 005 temperature gauge	43700
162	Hose silic D10,0xd7,00x035mm	56923
163	Powder funnel 507	73601
164	Hinge 507 powder funnel	74311
165	Reed sensor MS-324/267K	75557
168	Screw KST/PT 3,0x12 Inox	62325
180	Cover 507 powder funnel	92559
181	Cover 507 cpl V2	93087

NICR 560



#	Discription	Part No.
8	Screw KST/PT 3,0x12 bl galvan	16052
40	Magnet D06,0x6,0mm	36880
170	Hose silic D06,0xd3,00x220mm	75500
171	Fluid connect 507 L shape	74313
172	Clip 046 outlet	29708
173	Support 507 extract unit	74314
174	Extract unit A-047 base V8	61123
175	O-Ring 005,70x1,90 silic/K-2	53961
176	O-Ring 005,00x1,50 silic/2-K	38141
908	Service cord 507	74135